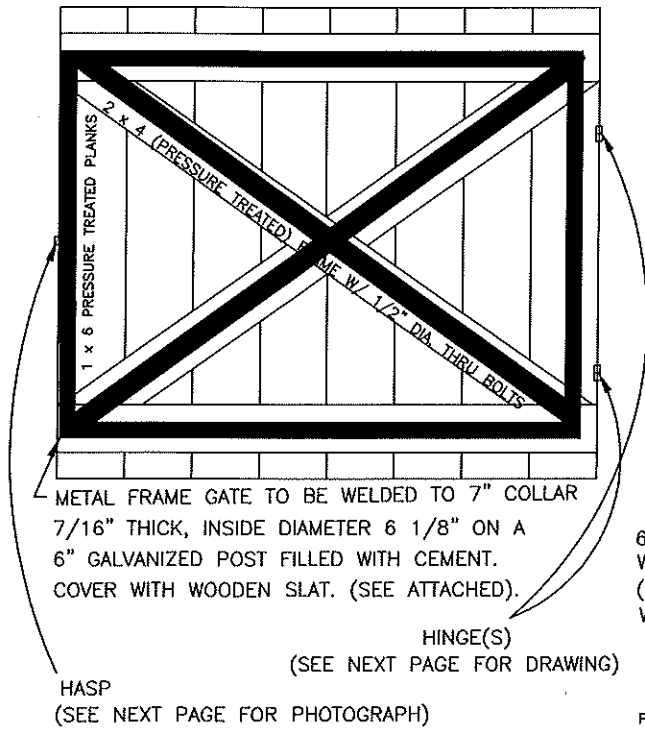


PLAN VIEW OF GATE

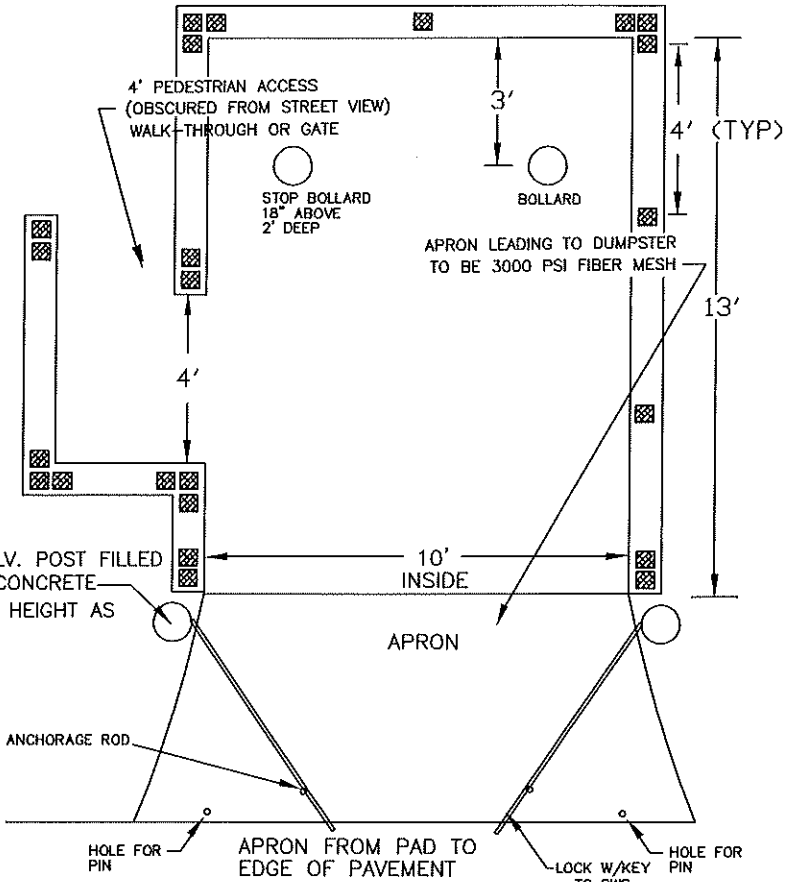
NOT TO SCALE



METAL FRAME GATE TO BE WELDED TO 7" COLLAR 7/16" THICK, INSIDE DIAMETER 6 1/8" ON A 6" GALVANIZED POST FILLED WITH CEMENT. COVER WITH WOODEN SLAT. (SEE ATTACHED).

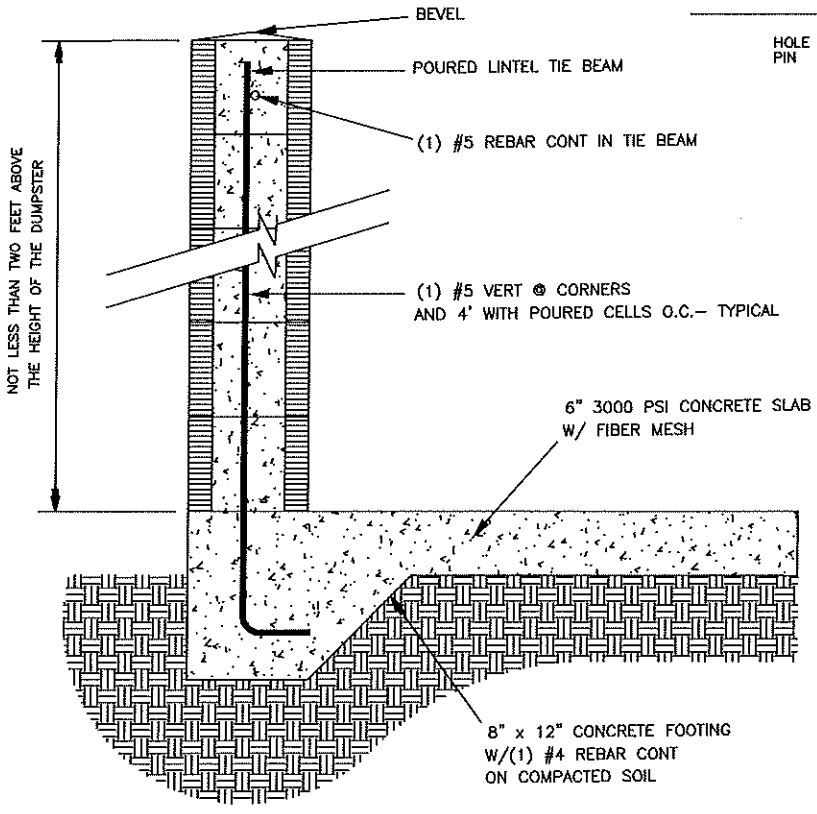
HINGE(S)
(SEE NEXT PAGE FOR DRAWING)

HASP
(SEE NEXT PAGE FOR PHOTOGRAPH)



PLAN VIEW OF ENCLOSURE

NOT TO SCALE



TYPICAL WALL SECTION

NOT TO SCALE

NOTES:

MINIMUM PAD REQUIREMENT 10' X 13' INSIDE FROM GATE TO GATE FOR WOOD ENCLOSURE, AND/OR LARGER FOR BLOCK.

OWNER RESPONSIBILITY FOR MAINTENANCE (PAINT, NORMAL WEAR).

POURED CELLS WITH (1) #5 VERTICAL TO POURED LINTEL TIE BEAM.

* BOLLARDS MIN. 6" STEEL FILLED WITH CONCRETE.

NO CHAIN LINK FENCE OF ANY KIND.

DUMPSTER APRON TO BE 3000 PSI FIBER MESH CONCRETE.

PLEASE CONTACT PUBLIC WORKS SANITATION SUPERVISOR FOR ADDITIONAL GUIDANCE/INFORMATION AT: 247-4028.



CITY OF JACKSONVILLE BEACH, FLORIDA

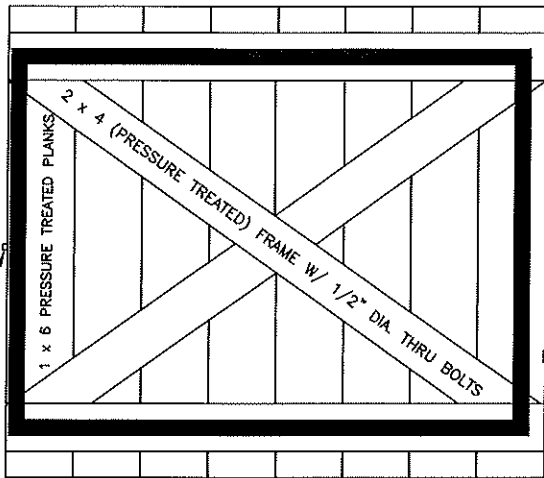
TYPICAL DUMPSTER ENCLOSURE STANDARD



Z:\DRAWINGS\Drawings\Frank Schurrott\2014 Dumpster Specs\13x13 Dumpster Enclosure With Hinges.dwg, 5/19/2015 10:30:08 AM, RICCH MP C6003 PCL 5c

PLAN VIEW OF GATE

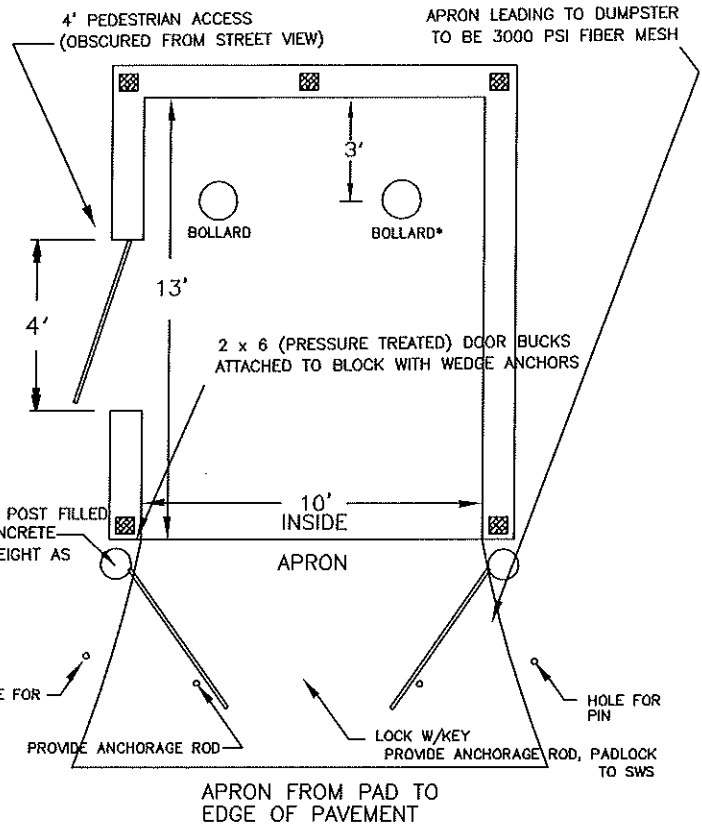
NOT TO SCALE



METAL FRAME GATE COVER WITH WOODEN SLATS TO BE WELDED TO 7" COLLAR 7/16" THICK, INSIDE DIAMETER 6 1/8" ON A 6" GALVANIZED POST FILLED WITH CEMENT. COVER WITH WOODEN SLAT. (SEE ATTACHED).

HASP
(SEE NEXT PAGE FOR PHOTOGRAPH)

HINGE(S)
(SEE NEXT PAGE FOR DRAWING)



APRON FROM PAD TO EDGE OF PAVEMENT

PLAN VIEW OF ENCLOSURE

NOT TO SCALE

NOTES:

MINIMUM PAD REQUIREMENT 10' X 13' INSIDE FROM GATE TO GATE FOR WOOD ENCLOSURE, AND/OR LARGER FOR BLOCK.

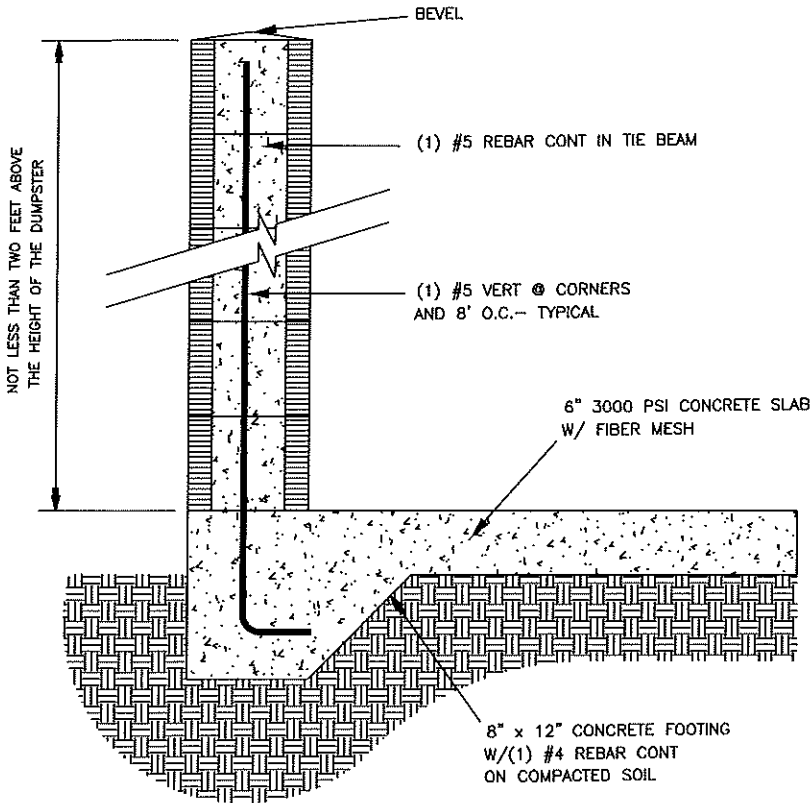
OWNER RESPONSIBILITY FOR MAINTENANCE, (PAINT, NORMAL WEAR).

* BOLLARDS MIN. 6" STEEL FILLED WITH CONCRETE.

NO CHAIN LINK FENCE OF ANY KIND.

DUMPSTER APRON TO BE 3000 PSI FIBER MESH CONCRETE.

PLEASE CONTACT PUBLIC WORKS SANITATION SUPERVISOR FOR ADDITIONAL GUIDANCE/INFORMATION AT: 247-4028.



TYPICAL WALL SECTION

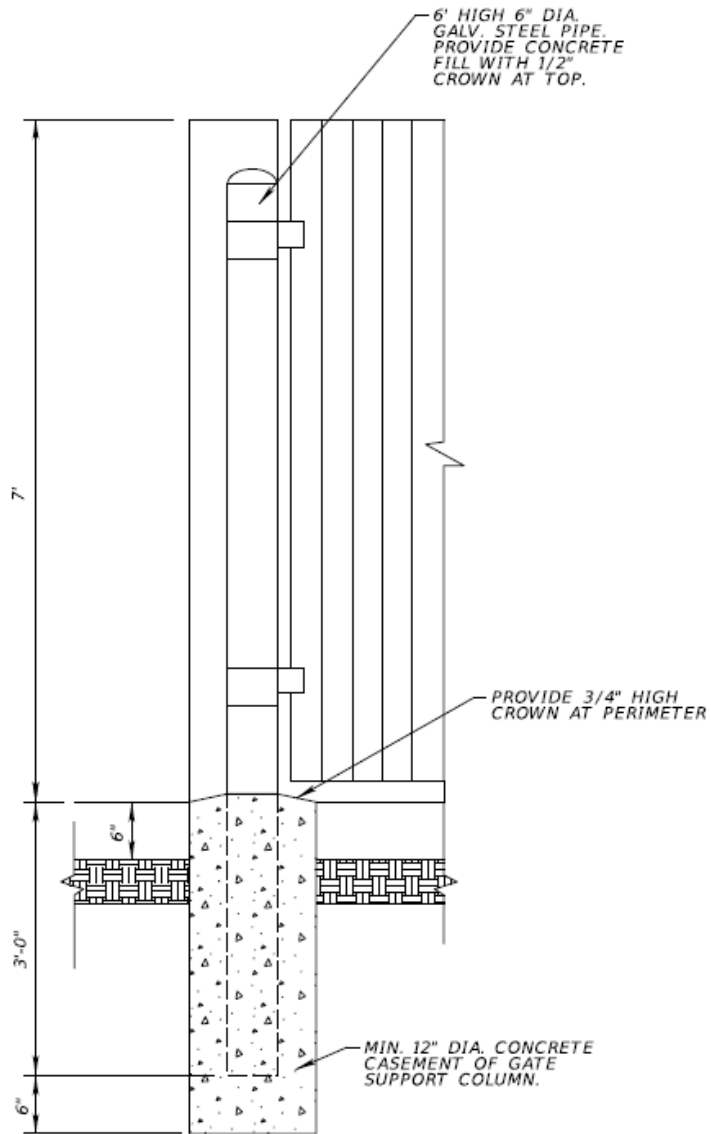
NOT TO SCALE



CITY OF JACKSONVILLE BEACH, FLORIDA

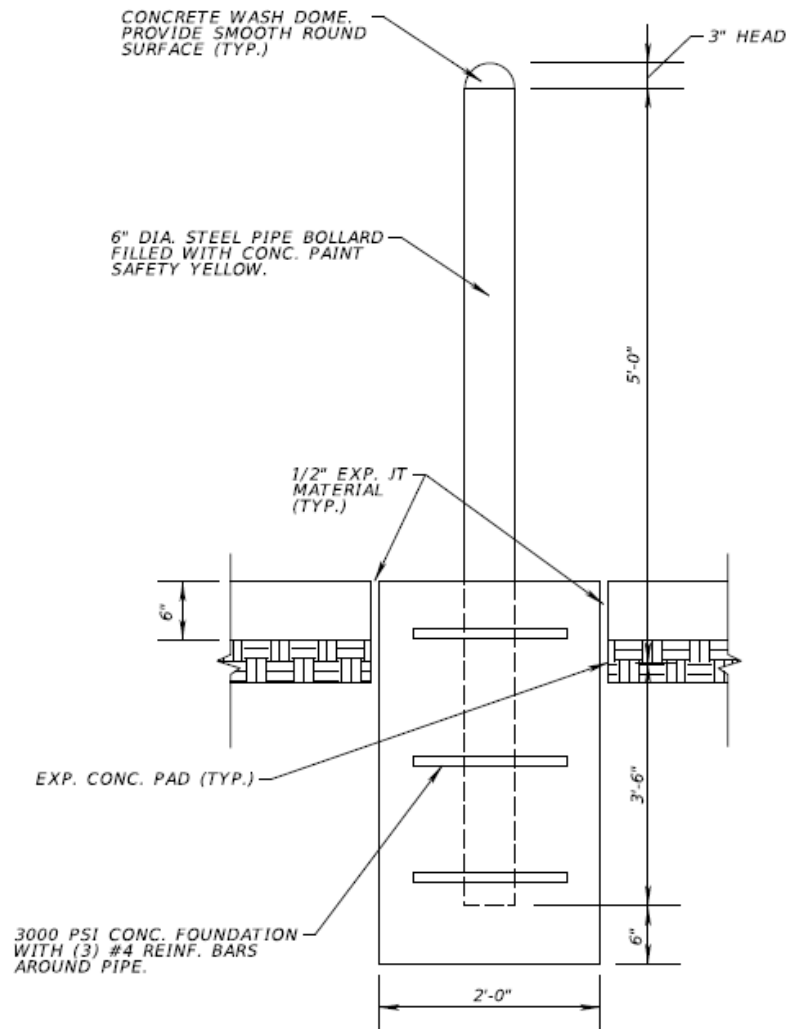
TYPICAL DUMPSTER ENCLOSURE STANDARD





GATE POST DETAIL

NOT TO SCALE




BOLLARD DETAIL

NOT TO SCALE

SKU #: 980006



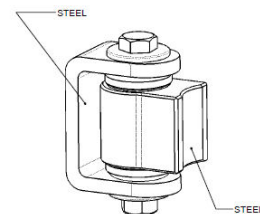
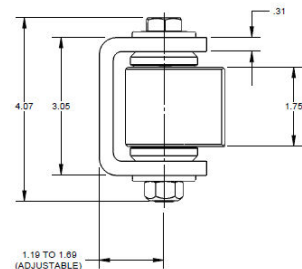
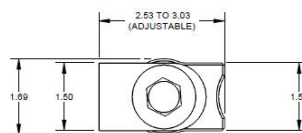
Extra Heavy Duty Roller Bearing Weld-On Hinge

\$96.39 Each 

Overview

- This extra heavy duty weld on hinge is designed to attach to a flat gate frame and a round or flat gate post.
- It has a heavy duty 5/16" thick yoke, a grade 8 hardened steel pivot bolt, and three sealed roller bearings.
- Leaves a 2-3/4" gap between the gate and frame.
- The yoke has an oval slot which allows you to adjust the gap between the gate frame and post by 1/2".
- Two hinges are required for most applications.

Specs	Downloads	Resources	Reviews	Q & A
FINISH NAME	Zinc			
MATERIAL	Steel			
WEIGHT RATING	3,000 lbs Per Pair			
WIDTH	1 - 1/2"			
HEIGHT	3 - 3/4"			
BEARINGS	Roller Bearing			
CALIFORNIA RESIDENTS	Prop 65 Warning			



HardwareSource.com SKU 980006